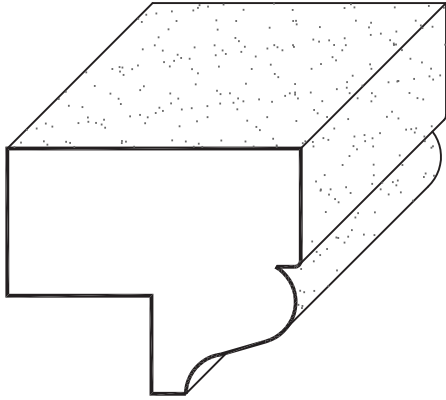
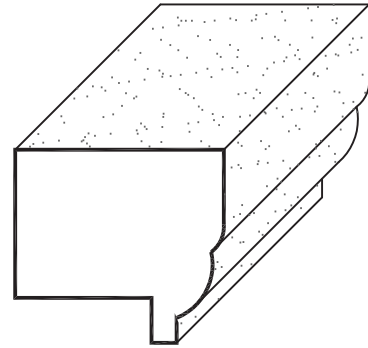


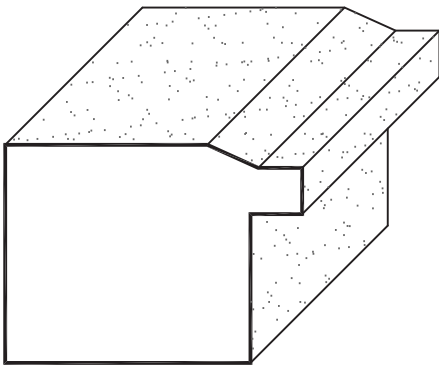
# Cap Moulding



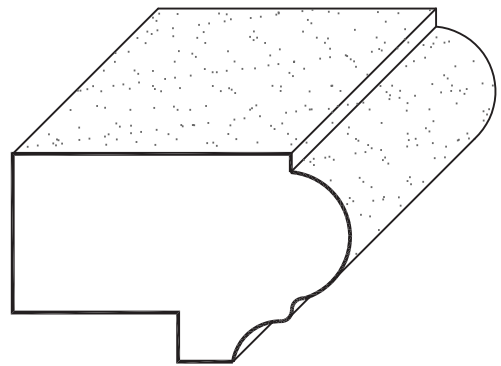
GH 070  
(1  $\frac{1}{4}$ " X 1  $\frac{1}{2}$ " )



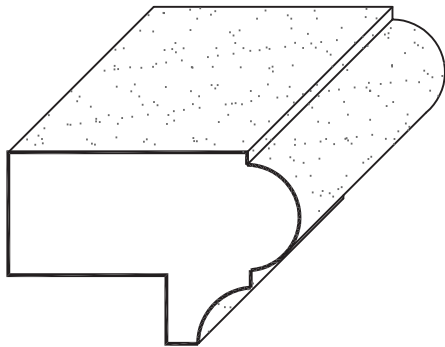
GH 071  
(1" X 1  $\frac{1}{16}$ " )



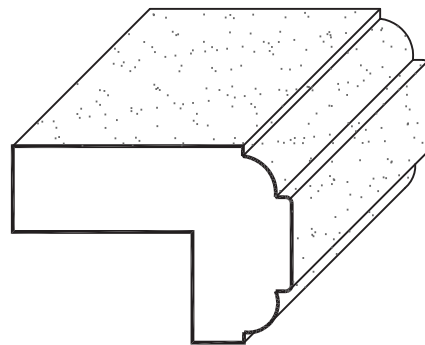
GH 072  
(1  $\frac{1}{8}$ " X 1  $\frac{1}{2}$ " )



GH 073  
(1" X 1  $\frac{1}{2}$ " )



GH 074  
(1  $\frac{1}{16}$ " X 1  $\frac{3}{4}$ " )



GH 075  
(1" X 1  $\frac{3}{16}$ " )