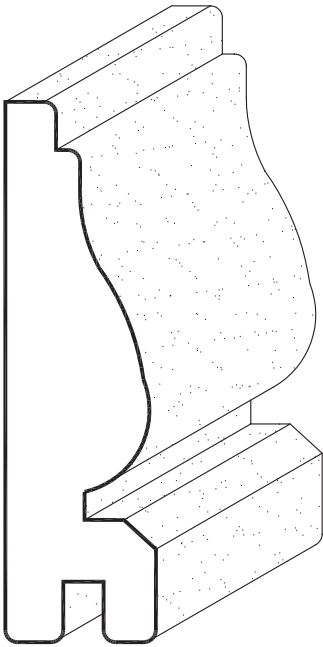
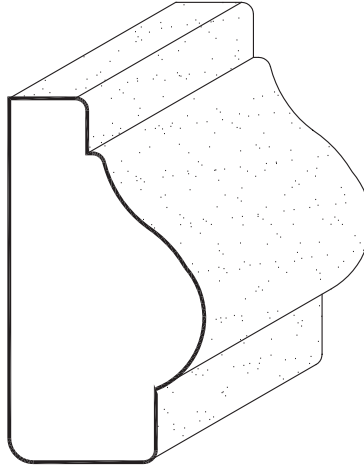


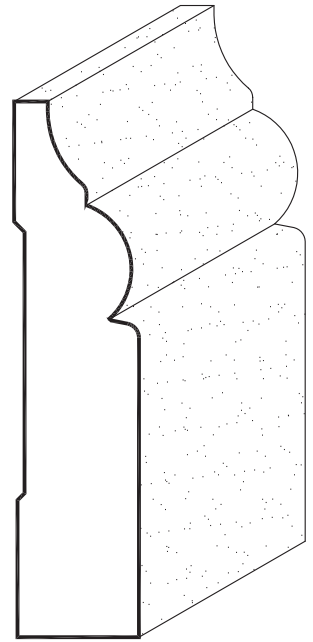
Base Cap



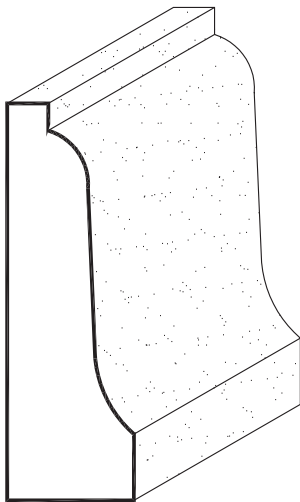
GH 850
($\frac{3}{4}$ " X $2\frac{3}{4}$ ")



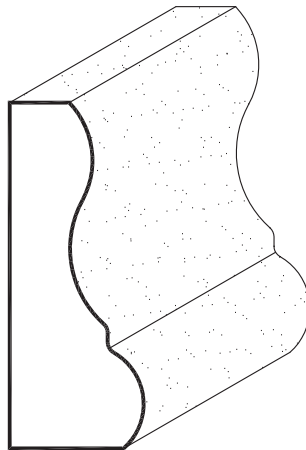
GH 851
(1" X $1\frac{13}{16}$ ")



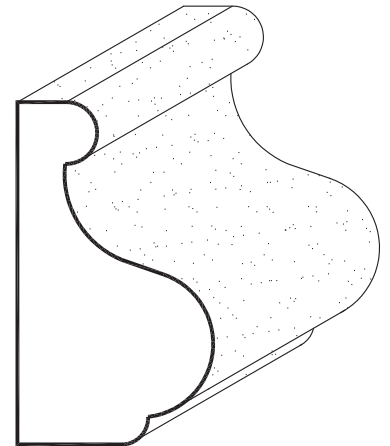
GH 852
($\frac{5}{8}$ " X $2\frac{3}{4}$ ")



GH 853
($\frac{5}{8}$ " X 2")

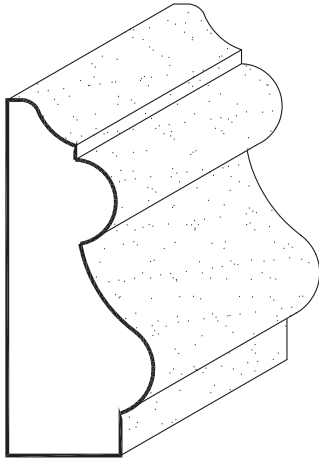


GH 854
($\frac{11}{16}$ " X $1\frac{3}{4}$ ")

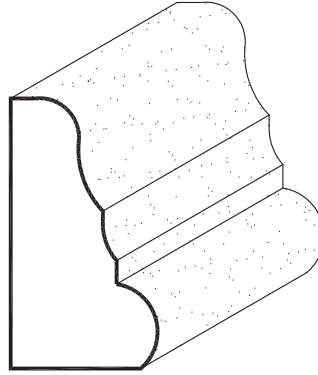


GH 855
(1" X $1\frac{3}{4}$ ")

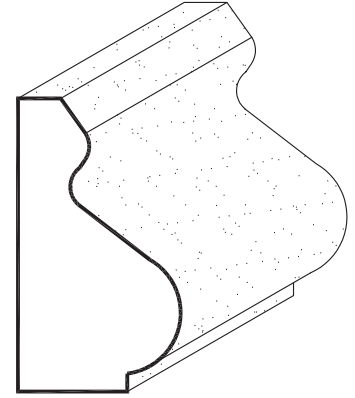
Base Cap



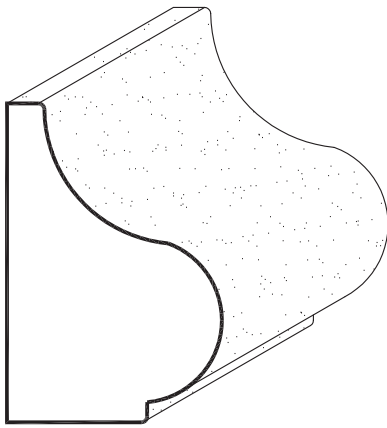
GH 856
($\frac{11}{16}$ " X $1 \frac{13}{16}$ ")



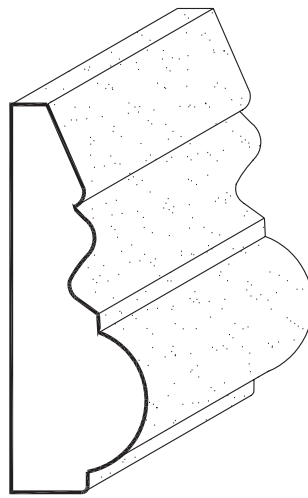
GH 857
($\frac{3}{4}$ " X $1 \frac{3}{8}$ ")



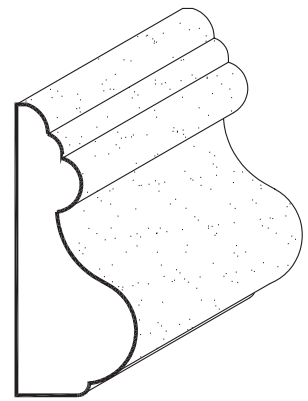
GH 858
($\frac{13}{16}$ " X $1 \frac{1}{2}$ ")



GH 859
($1 \frac{1}{8}$ " X $1 \frac{5}{8}$ ")

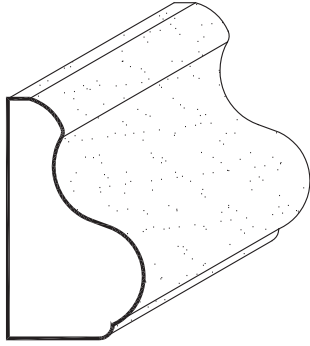


GH 860
($\frac{11}{16}$ " X 2")

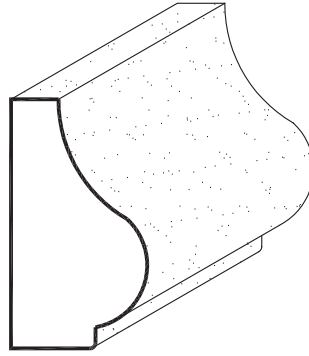


GH 861
($\frac{5}{8}$ " X $1 \frac{1}{2}$ ")

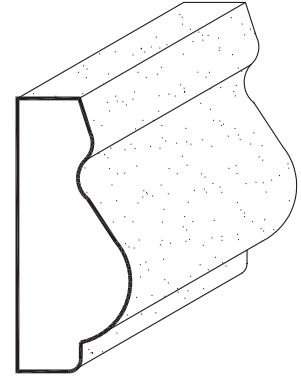
Base Cap



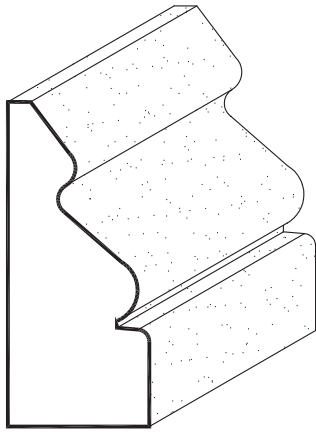
GH 862
($\frac{3}{4}$ " X $1 \frac{1}{4}$ ")



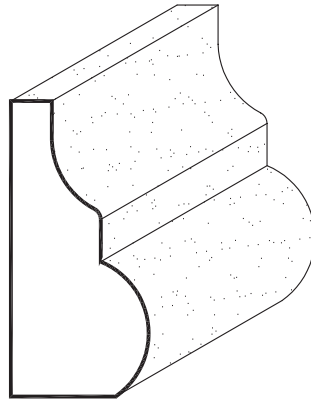
GH 863
($\frac{11}{16}$ " X $1 \frac{1}{4}$ ")



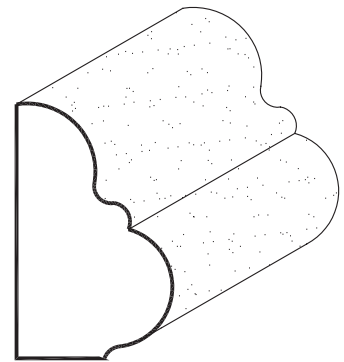
GH 864
($\frac{9}{16}$ " X $1 \frac{3}{8}$ ")



GH 865
($\frac{3}{4}$ " X $1 \frac{5}{8}$ ")

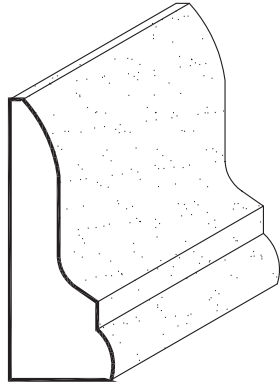


GH 866
($\frac{3}{4}$ " X $1 \frac{1}{2}$ ")

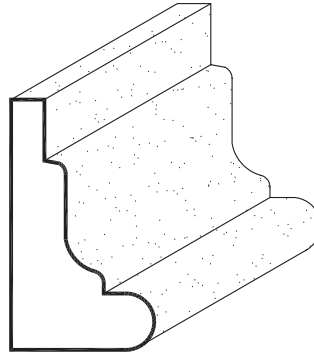


GH 867
($\frac{3}{4}$ " X $1 \frac{1}{4}$ ")

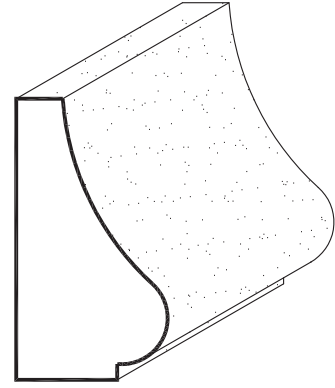
Base Cap



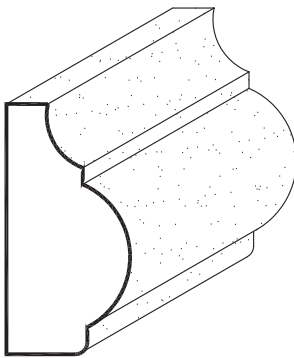
GH 868
($\frac{5}{8}$ " X $1 \frac{3}{8}$ ")



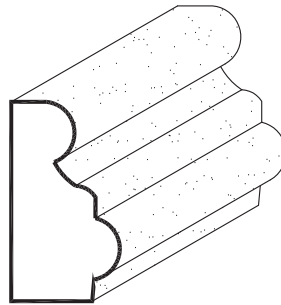
GH 869
($\frac{3}{4}$ " X $1 \frac{1}{4}$ ")



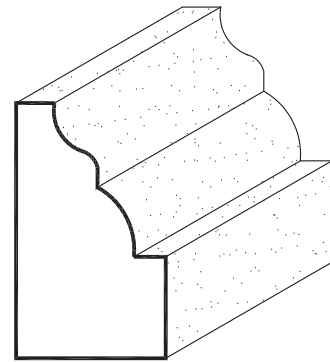
GH 870
($\frac{3}{4}$ " X $1 \frac{7}{16}$ ")



GH 871
($\frac{5}{8}$ " X $1 \frac{1}{4}$ ")

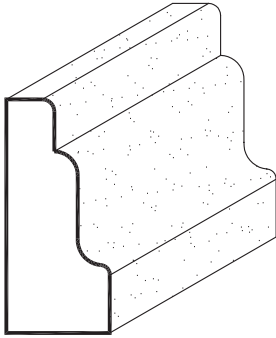


GH 872
($\frac{9}{16}$ " X 1")

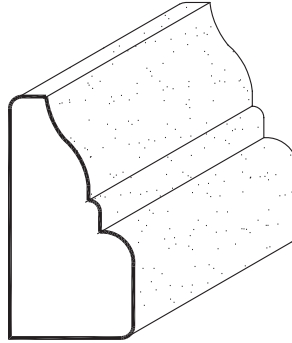


GH 873
($\frac{3}{4}$ " X $1 \frac{5}{16}$ ")

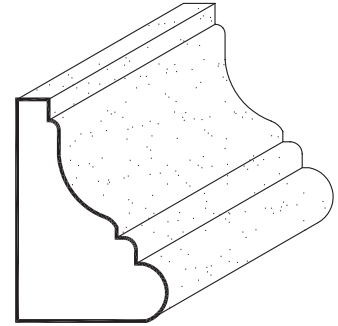
Base Cap



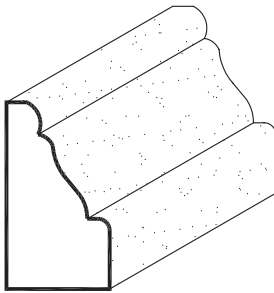
GH 874
($\frac{1}{2}$ " X $1 \frac{3}{16}$ ")



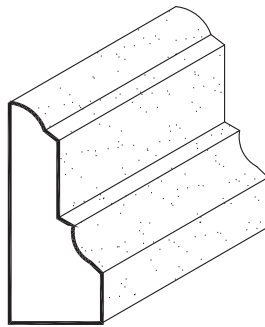
GH 875
($\frac{5}{8}$ " X $1 \frac{1}{4}$ ")



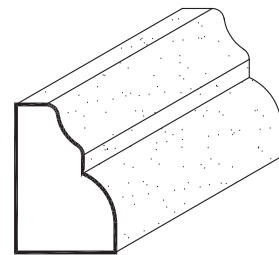
GH 876
($\frac{3}{4}$ " X $1 \frac{1}{4}$ ")



GH 877
($\frac{1}{2}$ " X $\frac{15}{16}$ ")

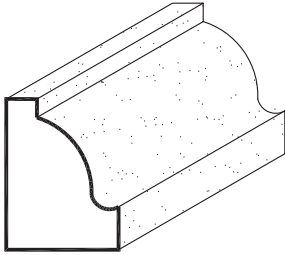


GH 878
($\frac{1}{2}$ " X $1 \frac{1}{8}$ ")

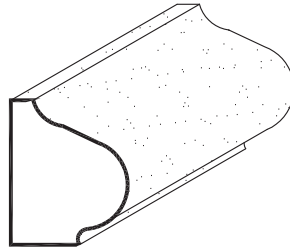


GH 879
($\frac{1}{2}$ " X $\frac{3}{4}$ ")

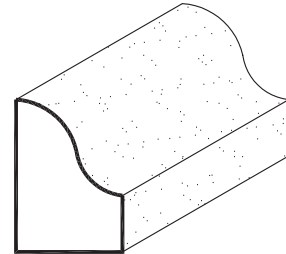
Base Cap



GH 880
($\frac{9}{16}$ " X $\frac{3}{4}$ ")



GH 881
($\frac{9}{16}$ " X $\frac{3}{4}$ ")



GH 882
($\frac{1}{2}$ " X $\frac{3}{4}$ ")